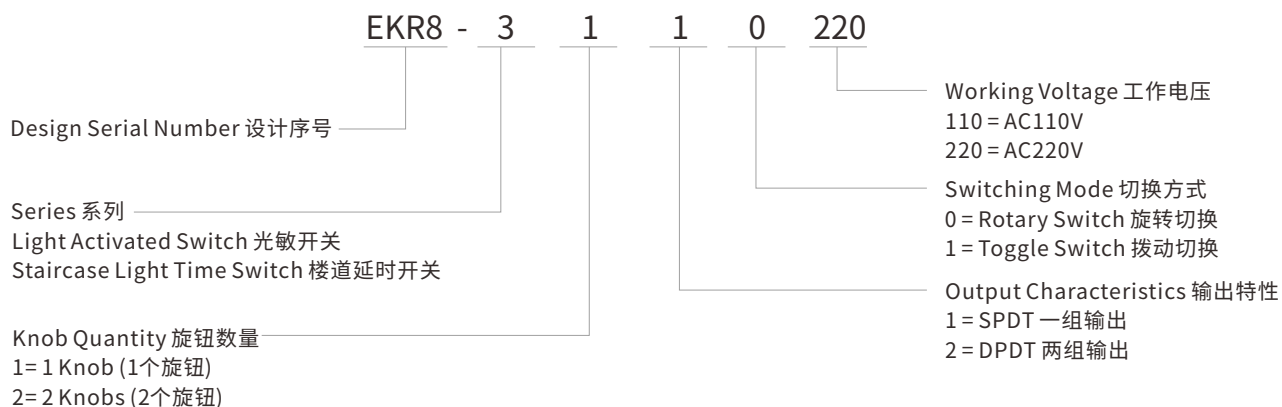


Model Naming Rules 型号命名规则



Specifications 规格

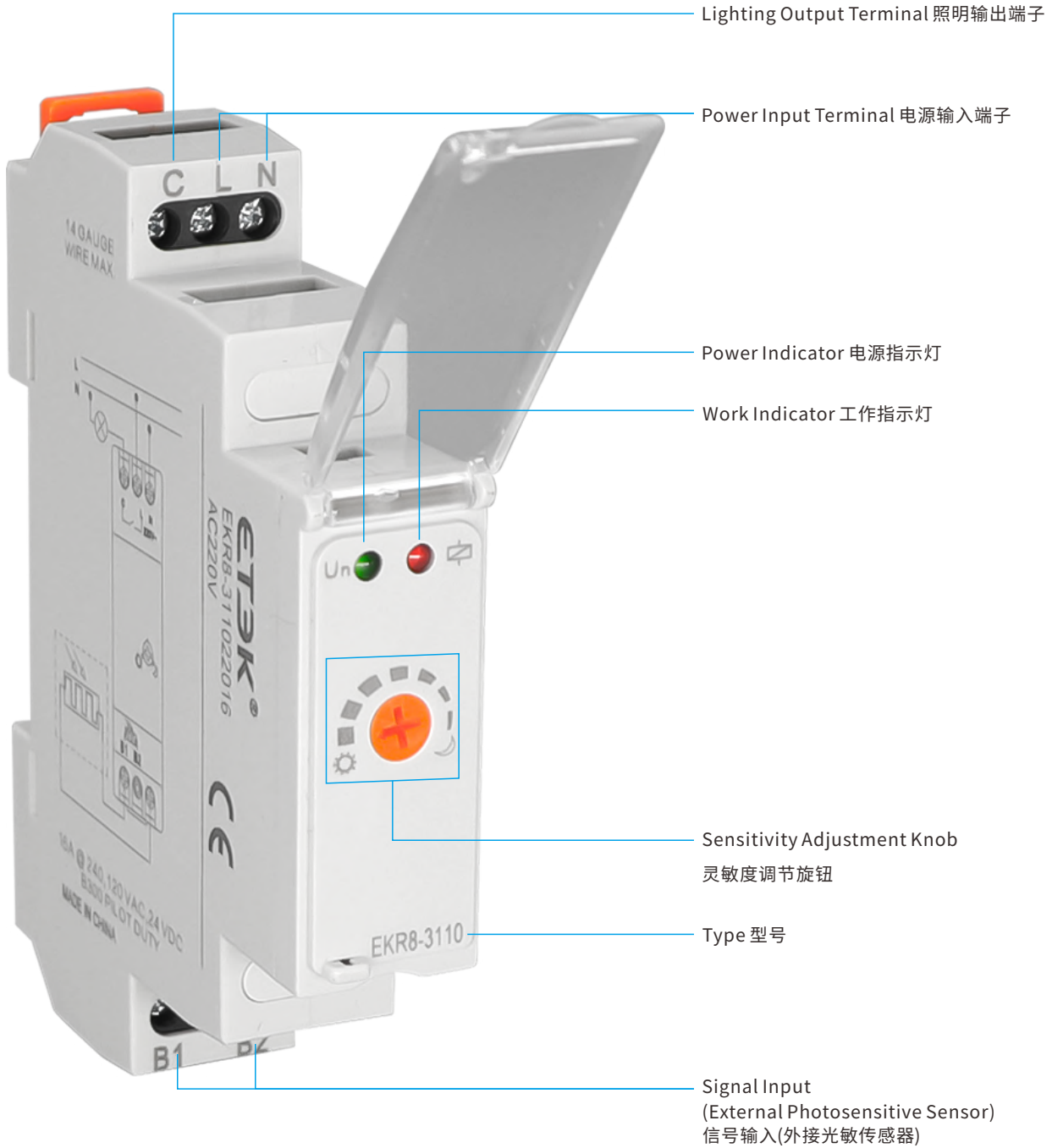
	EKR8-3110	EKR8-3210	EKR8-3220
Supply System Type 供应系统类型	Light Activated Switch	Staircase Light Time Switch	Staircase Light Time Switch
Power Indicator (Green LED) 电源指示灯	•	•	•
Rated Current 额定电流	16A	5A / 16A	5A / 16A
Work Indicator (Red LED) 工作指示灯	•	•	•
Output Characteristics 输出特性	SPDT	SPDT	DPDT
Working Voltage 工作电压 (AC12V or DC12V)	-	-	-
Working Voltage 工作电压 (AC24V or DC24V)	-	-	-
Working Voltage 工作电压 (AC110V)	•	•	•
Working Voltage 工作电压 (AC220V)	•	•	•
Working Voltage 工作电压 (AC/DC12V~240V)	-	-	-
Step Sequence 步进序列	-	-	-

	EKR8-3211	EKR8-3221
Supply System Type 供应系统类型	Staircase Light Time Switch	Staircase Light Time Switch
Power Indicator (Green LED) 电源指示灯	•	•
Rated Current 额定电流	5A / 16A	5A / 16A
Work Indicator (Red LED) 工作指示灯	•	•
Output Characteristics 输出特性	SPDT	DPDT
Working Voltage 工作电压 (AC12V or DC12V)	-	-
Working Voltage 工作电压 (AC24V or DC24V)	-	-
Working Voltage 工作电压 (AC110V)	•	•
Working Voltage 工作电压 (AC220V)	•	•
Working Voltage 工作电压 (AC/DC12V~240V)	-	-
Step Sequence 步进序列	-	-

EKR8-3 Series Light Activated Switch

光敏开关

Front view: function selector and regulators
前视图: 功能选择器和调节器



光敏开关

Light Activated Switch

光敏开关

Turn on or turn off electrical equipment according to the change of light intensity.

The action threshold can be set according to the demand.

根据光照强度的变化而对应开启或者关闭电气设备。动作阈值可根据需求设定。

When the ambient brightness decreases and drops below the selected threshold, the control contact is closed; when the ambient brightness increases and rises above the selected threshold, the control contact opens.

当环境亮度降低并低于所选阈值时，控制触点闭合；当环境亮度增加并高于所选阈值时，控制触点断开。

Suitable for installation on 35mm rail (in accordance with EN 60715 standard)

适合安装在35mm导轨上(符合 EN60715标准)

Lighting or lighting control system

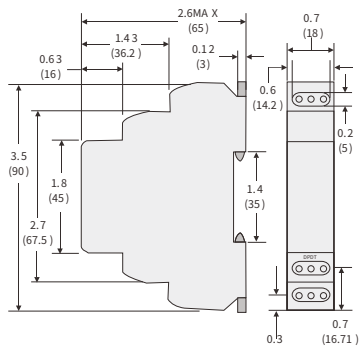
灯光照明或采光控制系统。

EKR8-3 Series

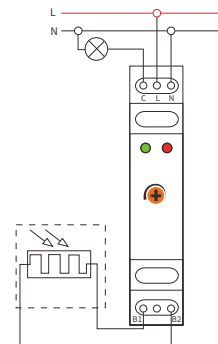


Technical Data 技术数据	EKR8-3110
2300W	Incandescent Lamp 230V 白炽灯230V
2300W	Halogen Lamp 230V 卤素灯230V
2300VA	Fluorescent Tube 荧光灯管
8×40W(4.7μF)	Parallel Compensated Fluorescent Tube,Max. 400W(42μF)
6×58W(7μF)	
2×100W(18μF)	
12×7W,8×11W,4×20W	Compact Fluorescent Lamp(CFL),Max.90W
1 000VA,	Non-corrected Mercury Vapour Lamp
400VA(42μF)	Parallel-corrected Mercury Vapour Lamp
1000VA	Non-corrected Sodium Vapour Lamp
400VA(42μF)	Parallel-corrected Sodium Vapour Lamp
20W	LED Up to 2W
55W	LED Between 2W and 8W
Output Characteristics 输出特性	SPDT
Contact Load Output 触点负载输出	16A/250VAC
Working Voltage 工作电压	Single Voltage 单电压:AC110V,AC220V

Dimensions外形尺寸图:in 英寸 (mm 毫米)



Wiring Diagrams 接线图



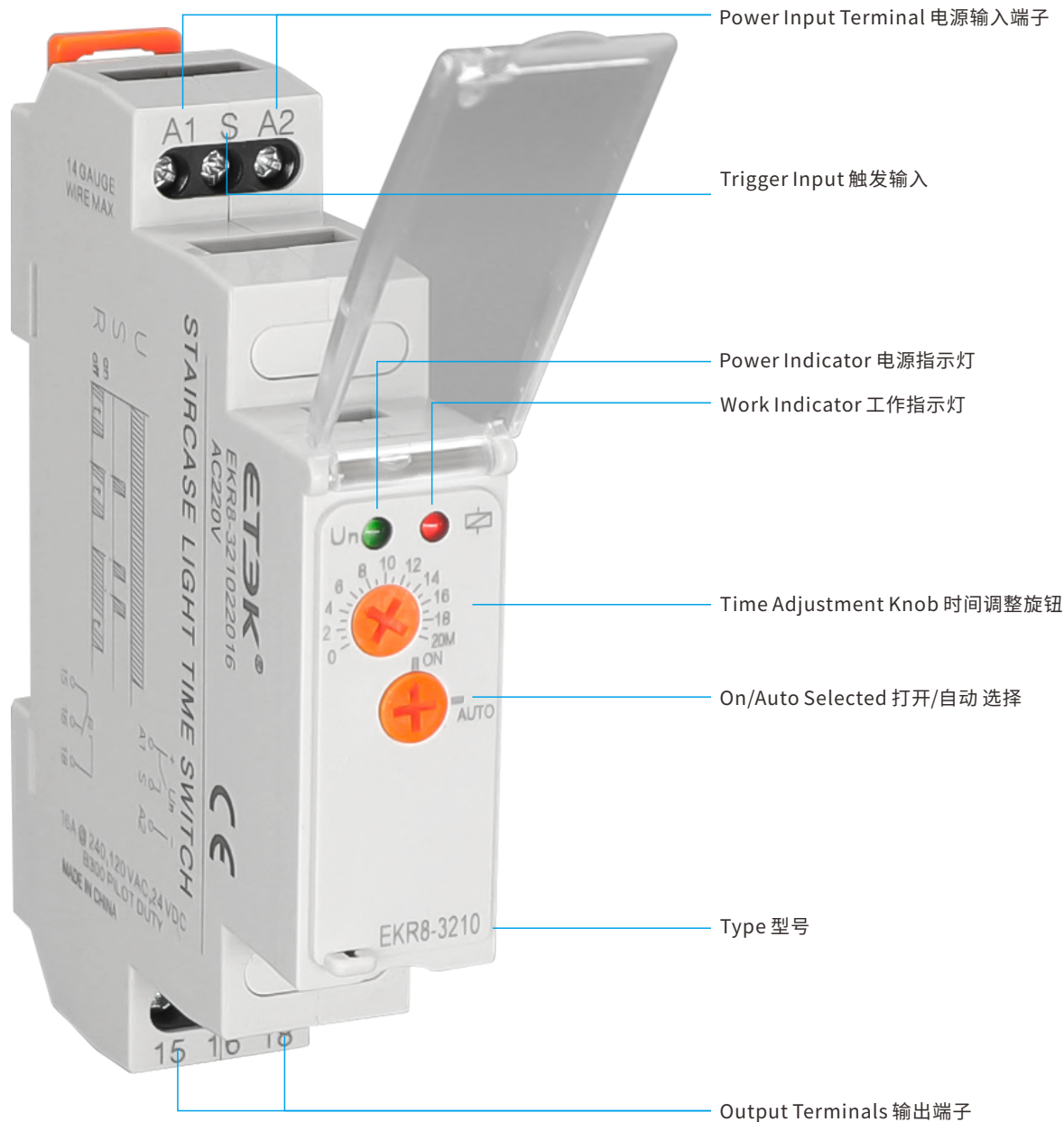
EKR8-3 Series Staircase Light Time Switch



楼道延时开关

Front view: function selector and regulators

前视图：功能选择器和调节器



EKR8-3 Series Staircase Light Time Switch



楼道延时开关

Staircase Light Time Switch 楼道延时开关

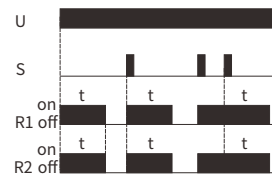
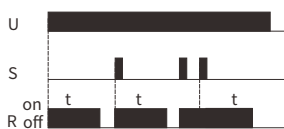
When the switch is triggered, the control contact is closed, the lighting is on, and the delay begins.
When the specified time is up, the control contact is disconnected and the lighting is off.
当开关被触发的时候,控制触点闭合,照明灯点亮,开始延时,
指定的时间到了以后,控制触点断开,照明灯光熄灭。
Suitable for installation on 35mm rail (in accordance with EN 60715 standard)
适合安装在35mm导轨上(符合 EN60715标准)
Lighting or lighting control system
灯光照明或采光控制系统。

EKR8-3 Series

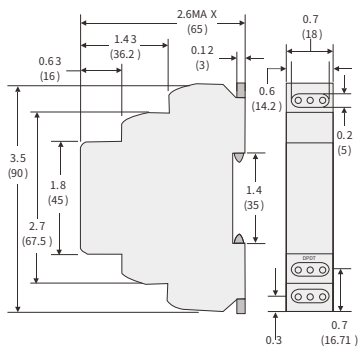


Technical Data 技术数据	EKR8-3210	EKR8-3220
Output Characteristics 输出特性	SPDT	DPDT
Rated Current 额定电流	5A/16A	5A/16A
Working Voltage 工作电压	Single Voltage 单电压:AC110V,AC220V	
Time Range 时间范围	1S,2S...1M,2M...1H,...,30H Customized according to clients' requirements 可根据客户要求定制	

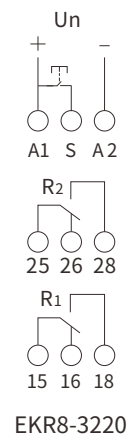
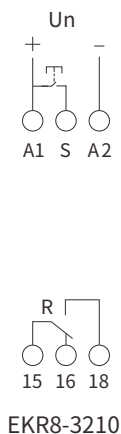
Functions 功能



Dimensions外形尺寸图:in 英寸 (mm 毫米)



Wiring Diagrams 接线图

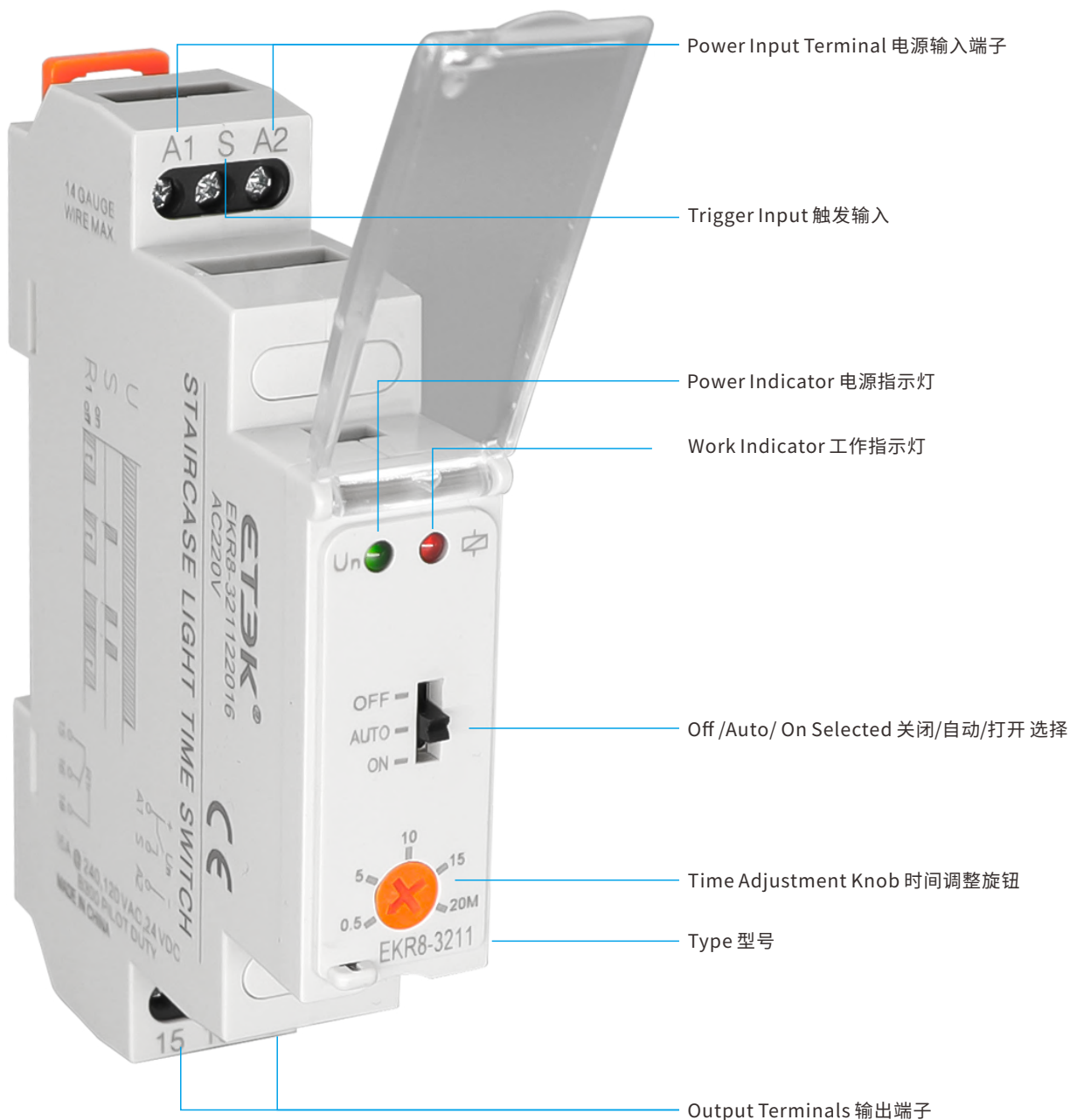


EKR8-3 Series Staircase Light Time Switch

楼道延时开关

Front view: function selector and regulators

前视图：功能选择器和调节器



EKR8-3 Series Staircase Light Time Switch



楼道延时开关

Staircase Light Time Switch 楼道延时开关

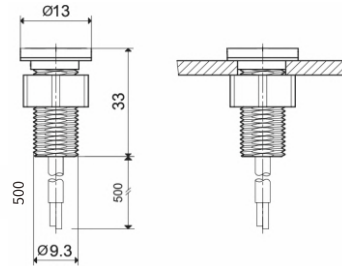
When the switch is triggered, the control contact is closed, the lighting is on, and the delay begins.
When the specified time is up, the control contact is disconnected and the lighting is off.
当开关被触发的时候,控制触点闭合,照明灯点亮,开始延时,指定的时间到了以后,控制触点断开,照明灯光熄灭。
Suitable for installation on 35mm rail (in accordance with EN 60715 standard)
适合安装在35mm导轨上(符合 EN60715标准)
Lighting or lighting control system
灯光照明或采光控制系统。

EKR8-3 Series



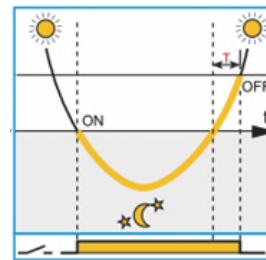
Technical Data 技术数据	EKR8-3211	EKR8-3221
Output Characteristics 输出特性	SPDT	DPDT
Rated Current 额定电流	5A/16A	5A/16A
Working Voltage 工作电压	Single Voltage 单电压:AC110V,AC220V	
Functions 功能		
Dimensions外形尺寸图:in 英寸 (mm 毫米)		
	<p>Wiring Diagrams 接线图</p> <p>EKR8-3211</p>	<p>EKR8-3221</p>

EKR8-3110系列 Optical Sensor Dimensions 光传感器尺寸图

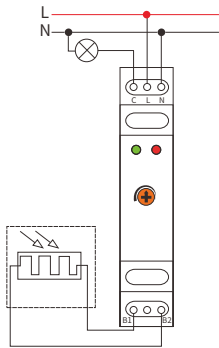


EKR8-3110系列 Working Diagram 工作示意图

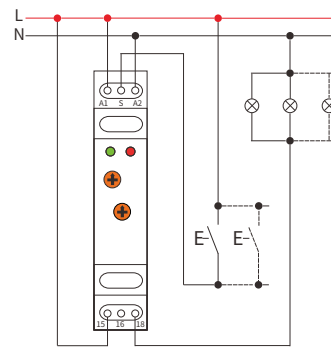
Night 夜晚		:2 LUX
Rains 雨天		:20LUX
Overcast 阴天		:35LUX
Cloudy 多云		:100LUX



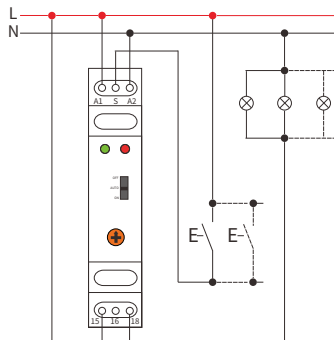
EKR8-3110系列 Working Wiring Diagram 工作接线图(SPDT)



EKR8-3210系列 Working Wiring Diagram 工作接线图(SPDT)



EKR8-3211系列 Working Wiring Diagram 工作接线图(SPDT)



EKR8-3220/3221系列 Working Wiring Diagram 工作接线图(DPDT)

